

Adress Nedladdning Inspire v1.0 - teknisk beskrivning

Dokumentversion 1.0

Gränssnittsdefinition

Åtkomstpunkt

Atomflöde	http://download.lantmateriet.se/atom/inspire/ad.xml
-----------	---

Inspire

Information

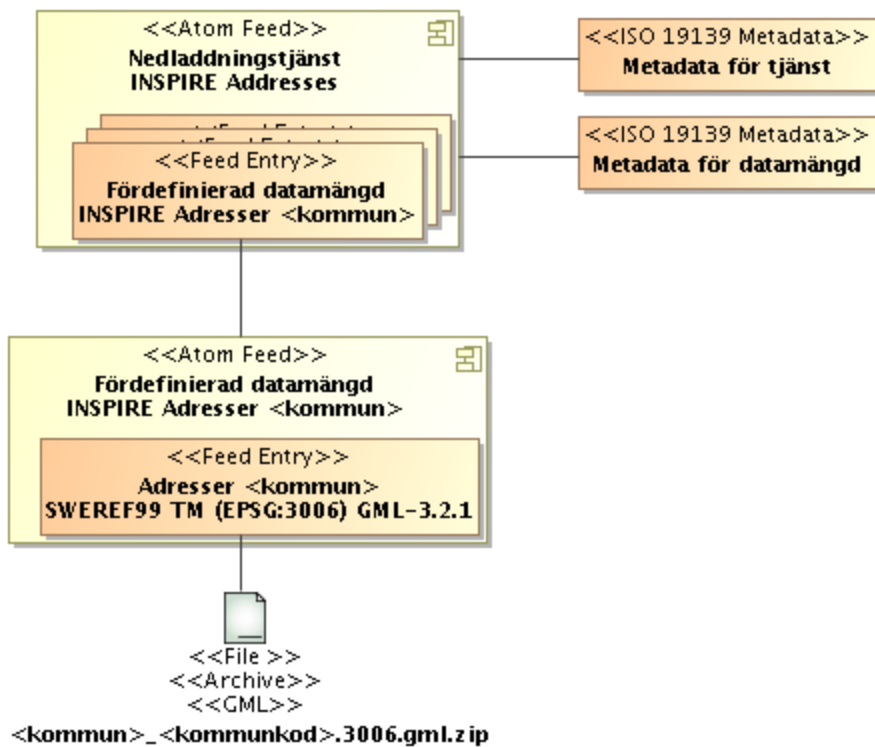
Inspire Address Dataspecifikation	http://inspire.jrc.ec.europa.eu/documents/Data_Specifications/INSPIRE_DataSpecification_AD_v3.0.1.pdf
Inspire tekniska riktlinjer	http://inspire.jrc.ec.europa.eu/documents/Network_Services/Technical_Guidance_Download_Services_3.0.pdf

Implementerade operationer

Operation	Syfte
Describe Spatial Dataset	Hämta metadata om tjänsten, dess informationsinnehåll och understödda format. Implementerad som länk till Atomflöde.
Get Spatial Dataset	Ladda ner fördefinierad datamängd genom att anropa Http-resurs angiven i Atomflöde.

Atomflöde

Logisk struktur



Ersätt <kommun> och <kommunkod> i bilden ovan med namn och kod för aktuell kommun.

Exempel

Atomflöde för tjänst

```

Exempel

<feed xmlns="http://www.w3.org/2005/Atom" xmlns:georss="http://www.georss.org/georss"
  xmlns:inspire_dls="http://inspire.ec.europa.eu/schemas/inspire_dls/1.0"
  xml:lang="en">
  <title>Nedladdningstjänst INSPIRE Addresses</title>
  <subtitle>
    Nedladdningstjänst enligt EG-direktivet Inspire för temat Addresses (adresser).
  </subtitle>
  <link
    href="http://www.geodata.se/geonetwork/srv/en/csw?REQUEST=GetRecordById&SERVICE=CSW&VERS
    rel="describedby" type="application/vnd.iso.19139+xml" hreflang="sv" title="Metadata
    nedladdningstjänst"/>
  <link href="http://download.lantmateriet.se/atom/inspire/ad.xml" rel="self"
    type="application/atom+xml"
    hreflang="sv" title="Nedladdningstjänst INSPIRE Adress (Atom)"/>
  <link
    href="http://www.geodata.se/GeodataExplorer/GetMetaData?UUID=693c8f48-63c6-44ca-a5f4-838
    rel="alternate" type="text/html" hreflang="sv" title="Nedladdningstjänst INSPIRE
    Adress (HTML)"/>
  <id>
    http://download.lantmateriet.se/atom/inspire/ad.xml
  </id>
  <rights>
    Produkten omfattas av upphovsrätt. Avtal för användning krävs, avgifter för
    användning tas ut. Användningen
  </rights>

```

```

    förutsätter ändamålsprövning.
</rights>
<!-- yyyy-mm-ddThh:mm:ssZ -->
<updated>2012-11-28</updated>
<author>
  <name>Geodatasupport</name>
  <email>geodatasupport@lm.se</email>
</author>
<entry>
  <title>
    Fördefinierad datamängd INSPIRE Adresser Upplands Väsby
  </title>
  <summary>Adresser enligt INSPIRE i Upplands Väsby</summary>

<inspire_dls:spatial_dataset_identifier_code>ad_0114</inspire_dls:spatial_dataset_identifi
<inspire_dls:spatial_dataset_identifier_namespace>http://www.lantmateriet.se/inspire/ad
</inspire_dls:spatial_dataset_identifier_namespace>
  <link
href="http://www.geodata.se/geonetwork/srv/en/csw?REQUEST=GetRecordById&SERVICE=CSW&VERS
rel="describedby" type="application/vnd.iso.19139+xml" hreflang="sv" title="Metadata
datamängd"/>
  <link href="http://download.lantmateriet.se/atom/inspire/ad/ad_0114.xml"
rel="alternate"
    type="application/atom+xml" hreflang="sv" title="Adresser Upplands Väsby"/>
  <id>
    http://download.lantmateriet.se/atom/inspire/ad/ad_0114.xml
  </id>
  <rights>
    Produkten omfattas av upphovsrätt. Avtal för användning krävs, avgifter för
användning tas ut. Användningen
    förutsätter ändamålsprövning.
  </rights>
  <!-- yyyy-mm-ddThh:mm:ssZ -->
  <updated>2012-11-28</updated>
  <georss:polygon>
    59.573 17.825 59.573 17.824 59.576 17.807 59.568 17.809 59.55 17.81 59.548 17.81
59.546 17.81 59.538 17.811
    .....
    .....
    59.57 17.84 59.57 17.831 59.571 17.828 59.573 17.825
  </georss:polygon>
  <category term="http://www.opengis.net/def/crs/EPSG/0/3006" label="SWEREF99 TM"/>
</entry>

<entry>
  <title>
    Fördefinierad datamängd INSPIRE Adresser Vallentuna
  </title>
  <summary>Adresser enligt INSPIRE i Vallentuna</summary>

<inspire_dls:spatial_dataset_identifier_code>ad_0115</inspire_dls:spatial_dataset_identifi
<inspire_dls:spatial_dataset_identifier_namespace>http://www.lantmateriet.se/inspire/ad
</inspire_dls:spatial_dataset_identifier_namespace>
  <link
href="http://www.geodata.se/geonetwork/srv/en/csw?REQUEST=GetRecordById&SERVICE=CSW&VERS
rel="describedby" type="application/vnd.iso.19139+xml" hreflang="sv" title="Metadata
datamängd"/>
  <link href="http://download.lantmateriet.se/atom/inspire/ad/ad_0115.xml"
rel="alternate"

```

```
    type="application/atom+xml" hreflang="sv" title="Adresser Vallentuna"/>
  <id>
    http://download.lantmateriet.se/atom/inspire/ad/ad_0115.xml
  </id>
  <rights>
    Produkten omfattas av upphovsrätt. Avtal för användning krävs, avgifter för
    användning tas ut. Användningen
    förutsätter ändamålsprövning.
  </rights>
  <!-- yyyy-mm-ddThh:mm:ssZ -->
  <updated>2012-11-28</updated>
  <georss:polygon>
    59.562 17.976 59.561 17.976 59.56 17.976 59.559 17.976 59.558 17.977 59.556
    17.973 59.551 17.973 59.551
    .....
    .....
    59.564 17.978 59.564 17.977 59.564 17.976 59.563 17.976 59.562 17.976
  </georss:polygon>
  <category term="http://www.opengis.net/def/crs/EPSSG/0/3006" label="SWEREF99 TM"/>
</entry>
.....
```

.....
</feed>

Atomflöde för datamängd

Exempel

```
<feed xmlns="http://www.w3.org/2005/Atom" xmlns:georss="http://www.georss.org/georss"
xml:lang="en">
  <title>
    Fördefinierad datamängd INSPIRE Adresser Upplands Väsby
  </title>
  <subtitle>Adresser enligt INSPIRE i Upplands Väsby</subtitle>
  <!-- Spatial Object Type definitions -->
  <!-- Address -->
  <link href="http://inspire-registry.jrc.ec.europa.eu/registers/FCD/items/265"
rel="describedby" type="text/html"/>
  <!-- Address Area Name -->
  <link href="http://inspire-registry.jrc.ec.europa.eu/registers/FCD/items/266"
rel="describedby" type="text/html"/>
  <!-- Address Component -->
  <link href="http://inspire-registry.jrc.ec.europa.eu/registers/FCD/items/267"
rel="describedby" type="text/html"/>
  <link href="http://download.lantmateriet.se/atom/inspire/ad/ad_0114.xml" rel="self"
type="application/atom+xml"
  hreflang="sv" title="Detta dokument"/>
  <link href="http://download.lantmateriet.se/atom/inspire/ad.xml" rel="up"
type="application/atom+xml" hreflang="sv"
  title="Nedladdningstjänst INSPIRE Addresses"/>
  <id>
    http://download.lantmateriet.se/atom/inspire/ad/ad_0114.xml
  </id>
  <rights>
    Produkten omfattas av upphovsrätt. Avtal för användning krävs, avgifter för
    användning tas ut. Användningen
    förutsätter ändamålsprövning.
  </rights>
  <!-- yyyy-mm-ddThh:mm:ssZ -->
  <updated>2012-11-28</updated>
  <author>
    <name>Geodatasupport</name>
    <email>geodatasupport@lm.se</email>
  </author>
  <entry>
    <title>
      Adresser Upplands Väsby SWEREF99 TM (EPSG:3006) GML-3.2.1
    </title>
    <!-- type="application/gml+xml;version=3.2.1" -->
    <link rel="alternate"
href="http://download.lantmateriet.se/produkter/inspire/ad/3006/gml/ad_0114.3006.gml.zip"
type="application/zip" hreflang="sv" length="1184212"
  title="Adresser Upplands Väsby SWEREF99 TM (EPSG:3006) GML-3.2.1"/>
    <id>
      http://download.lantmateriet.se/produkter/inspire/ad/3006/gml/ad_0114.3006.gml.zip
    </id>
    <updated>2012-11-28</updated>
    <category term="http://www.opengis.net/def/crs/EPSG/0/3006" label="SWEREF99 TM"/>
  </entry>
</feed>
```

GML för adress

Exempel

```
<?xml version='1.0' encoding='UTF-8'?>
<gml:FeatureCollection xmlns:xsi="http://www.w3.org/2001/XMLSchema-instance"
    xmlns:gml="http://www.opengis.net/gml/3.2"
    gml:id="SE.LM.AD.0114">
  <gml:featureMember>
    <ad:Address xmlns:ad="urn:x-inspire:specification:gmlas:Addresses:3.0"
        xmlns:gml="http://www.opengis.net/gml/3.2"
        xmlns:gn="urn:x-inspire:specification:gmlas:GeographicalNames:3.0"
        gml:id="SE.LM.AD.6f8a9d7d-8363-406d-862e-2c77550f7b22">
      <ad:inspireId>
        <base:Identifier xmlns:base="urn:x-inspire:specification:gmlas:BaseTypes:3.2">
          <base:localId>6f8a9d7d-8363-406d-862e-2c77550f7b22</base:localId>
          <base:namespace>SE.LM.AD</base:namespace>
        </base:Identifier>
      </ad:inspireId>
      <ad:position>
        <ad:GeographicPosition>
          <ad:geometry>
            <gml:Point gml:id="SE.LM.AD.PT.6f8a9d7d-8363-406d-862e-2c77550f7b22_P">
              <gml:pos>661234.123 6612345.123</gml:pos>
            </gml:Point>
          </ad:geometry>
          <ad:specification>entrance</ad:specification>
          <ad:method>byAdministrator</ad:method>
          <ad:default>>true</ad:default>
        </ad:GeographicPosition>
      </ad:position>
      <ad:locator>
        <ad:AddressLocator>
          <ad:designator>
            <ad:LocatorDesignator>
              <ad:designator>42</ad:designator>
              <ad:type>addressIdentifierGeneral</ad:type>
            </ad:LocatorDesignator>
          </ad:designator>
          <ad:name>
            <ad:LocatorName>
              <ad:name>
                <gn:GeographicalName>
                  <gn:language>SWE</gn:language>
                  <gn:nativeness>Endonym</gn:nativeness>
                  <gn:nameStatus>Official</gn:nameStatus>
                  <gn:sourceOfName>Swedish Address Register</gn:sourceOfName>
                  <gn:pronunciation>
                    <gn:PronunciationOfName/>
                  </gn:pronunciation>
                  <gn:spelling>
                    <gn:SpellingOfName>
                      <gn:text/>
                      <gn:script>Latn</gn:script>
                    </gn:SpellingOfName>
                  </gn:spelling>
                </gn:GeographicalName>
              </ad:name>
            </ad:LocatorName>
          </ad:name>
        </ad:AddressLocator>
      </ad:locator>
    </ad:Address>
  </gml:featureMember>
</gml:FeatureCollection>
```

```

        </ad:name>
        <ad:type>descriptiveLocator</ad:type>
    </ad:LocatorName>
</ad:name>
    <ad:level>siteLevel</ad:level>
</ad:AddressLocator>
</ad:locator>
    <ad:validFrom xmlns:xsi="http://www.w3.org/2001/XMLSchema-instance"
nilReason="UNKNOWN" xsi:nil="true" />
    <ad:beginLifespanVersion xmlns:xsi="http://www.w3.org/2001/XMLSchema-instance"
nilReason="UNKNOWN"
        xsi:nil="true" />
    <ad:component xmlns:xlink="http://www.w3.org/1999/xlink"
xlink:href="#SE.LM.AU.MU.0114" />
    <ad:component xmlns:xlink="http://www.w3.org/1999/xlink"
xlink:href="#SE.LM.AU.CO.01" />
    <ad:component xmlns:xlink="http://www.w3.org/1999/xlink"
xlink:href="#SE.LM.AU.CY" />
    <ad:component xmlns:xlink="http://www.w3.org/1999/xlink"
xlink:href="#SE.LM.PD.19457" />
    <ad:component xmlns:xlink="http://www.w3.org/1999/xlink"
        xlink:href="#SE.LM.AA.36da5a32-90fc-4c7c-b5c9-728cf9984653" />
    <ad:component xmlns:xlink="http://www.w3.org/1999/xlink"
        xlink:href="#SE.LM.TN.bc387e26-d02c-45e2-8e5a-f8dcefadd6c4" />
</ad:Address>
</gml:featureMember>
.....
.....
<gml:featureMember>
    <ad:AdminUnitName xmlns:ad="urn:x-inspire:specification:gmlas:Addresses:3.0"
xmlns:au="urn:x-inspire:specification:gmlas:AdministrativeUnits:3.0"
        xmlns:base="urn:x-inspire:specification:gmlas:BaseTypes:3.2"
        xmlns:bui="urn:x-inspire:specification:gmlas:Buildings:0.0"
xmlns:cp="urn:x-inspire:specification:gmlas:CadastralParcels:3.0"
        xmlns:gml="http://www.opengis.net/gml/3.2"
xmlns:gn="urn:x-inspire:specification:gmlas:GeographicalNames:3.0"
xmlns:tn="urn:x-inspire:specification:gmlas:CommonTransportElements:3.0"
        xmlns:gco="http://www.isotc211.org/2005/gco"
xmlns:xlink="http://www.w3.org/1999/xlink"
        xmlns:gmd="http://www.isotc211.org/2005/gmd"
xmlns:gsr="http://www.isotc211.org/2005/gsr"
        xmlns:gts="http://www.isotc211.org/2005/gts"
xmlns:tn-a="urn:x-inspire:specification:gmlas:AirTransportNetwork:3.0"
xmlns:stat="urn:x-inspire:specification:gmlas:StatisticalUnits:0.0"
        xmlns:net="urn:x-inspire:specification:gmlas:Network:3.2"
        xmlns:gss="http://www.isotc211.org/2005/gss"
gml:id="SE.LM.AU.MU.0114">
        <ad:beginLifespanVersion xmlns:xsi="http://www.w3.org/2001/XMLSchema-instance"
nilReason="UNKNOWN"
            xsi:nil="true" />
        <ad:validFrom xmlns:xsi="http://www.w3.org/2001/XMLSchema-instance"
nilReason="UNKNOWN" xsi:nil="true" />
        <ad:name>

```



```

    <gn:GeographicalName>
      <gn:language>SWE</gn:language>
      <gn:nativeness>Endonym</gn:nativeness>
      <gn:nameStatus>Official</gn:nameStatus>
      <gn:sourceOfName>Swedish Address Register</gn:sourceOfName>
      <gn:pronunciation>
        <gn:PronunciationOfName/>
      </gn:pronunciation>
      <gn:spelling>
        <gn:SpellingOfName>
          <gn:text>UPPLANDS VÄSBY</gn:text>
          <gn:script>Latn</gn:script>
        </gn:SpellingOfName>
      </gn:spelling>
    </gn:GeographicalName>
  </ad:name>
  <ad:level>3</ad:level>
  <ad:adminUnit xmlns:xsi="http://www.w3.org/2001/XMLSchema-instance"
nilReason="UNKNOWN" xsi:nil="true"/>
</ad:AdminUnitName>
</gml:featureMember>

<gml:featureMember>
  <ad:AdminUnitName xmlns:gml="http://www.opengis.net/gml/3.2"
    xmlns:ad="urn:x-inspire:specification:gmlas:Addresses:3.0"
    xmlns:gn="urn:x-inspire:specification:gmlas:GeographicalNames:3.0"
    gml:id="SE.LM.AU.CO.01">
    <ad:beginLifespanVersion xmlns:xsi="http://www.w3.org/2001/XMLSchema-instance"
nilReason="UNKNOWN"
      xsi:nil="true"/>
    <ad:validFrom xmlns:xsi="http://www.w3.org/2001/XMLSchema-instance"
nilReason="UNKNOWN" xsi:nil="true"/>
    <ad:name>
      <gn:GeographicalName>
        <gn:language>SWE</gn:language>
        <gn:nativeness>Endonym</gn:nativeness>
        <gn:nameStatus>Official</gn:nameStatus>
        <gn:sourceOfName>Swedish Address Register</gn:sourceOfName>
        <gn:pronunciation>
          <gn:PronunciationOfName/>
        </gn:pronunciation>
        <gn:spelling>
          <gn:SpellingOfName>
            <gn:text>STOCKHOLMS LÄN</gn:text>
            <gn:script>Latn</gn:script>
          </gn:SpellingOfName>
        </gn:spelling>
      </gn:GeographicalName>
    </ad:name>
    <ad:level>2</ad:level>
    <ad:adminUnit xmlns:xsi="http://www.w3.org/2001/XMLSchema-instance"
nilReason="UNKNOWN" xsi:nil="true"/>
  </ad:AdminUnitName>
</gml:featureMember>

<gml:featureMember>
  <ad:AdminUnitName xmlns:gml="http://www.opengis.net/gml/3.2"
    xmlns:ad="urn:x-inspire:specification:gmlas:Addresses:3.0"

```

```
xmlns:gn="urn:x-inspire:specification:gmlas:GeographicalNames:3.0"
gml:id="SE.LM.AU.CY">
  <ad:beginLifespanVersion xmlns:xsi="http://www.w3.org/2001/XMLSchema-instance"
nilReason="UNKNOWN"
                    xsi:nil="true"/>
  <ad:validFrom xmlns:xsi="http://www.w3.org/2001/XMLSchema-instance"
nilReason="UNKNOWN" xsi:nil="true"/>
  <ad:name>
    <gn:GeographicalName>
      <gn:language>SWE</gn:language>
      <gn:nativeness>Endonym</gn:nativeness>
      <gn:nameStatus>Official</gn:nameStatus>
      <gn:sourceOfName>Swedish Address Register</gn:sourceOfName>
      <gn:pronunciation>
        <gn:PronunciationOfName/>
      </gn:pronunciation>
      <gn:spelling>
        <gn:SpellingOfName>
          <gn:text>Sverige</gn:text>
          <gn:script>Latn</gn:script>
        </gn:SpellingOfName>
      </gn:spelling>
    </gn:GeographicalName>
  </ad:name>
  <ad:level>1</ad:level>
  <ad:adminUnit xmlns:xsi="http://www.w3.org/2001/XMLSchema-instance"
nilReason="UNKNOWN" xsi:nil="true"/>
  </ad:AdminUnitName>
</gml:featureMember>
```

```
<gml:featureMember>
```

```
  <ad:PostalDescriptor xmlns:gml="http://www.opengis.net/gml/3.2"
                    xmlns:ad="urn:x-inspire:specification:gmlas:Addresses:3.0"
```

```
xmlns:gn="urn:x-inspire:specification:gmlas:GeographicalNames:3.0"
gml:id="SE.LM.PD.19457">
  <ad:beginLifespanVersion xmlns:xsi="http://www.w3.org/2001/XMLSchema-instance"
nilReason="UNKNOWN"
                    xsi:nil="true"/>
  <ad:status>current</ad:status>
  <ad:validFrom xmlns:xsi="http://www.w3.org/2001/XMLSchema-instance"
nilReason="UNKNOWN" xsi:nil="true"/>
  <ad:postName>
    <gn:GeographicalName>
      <gn:language>SWE</gn:language>
      <gn:nativeness>Endonym</gn:nativeness>
      <gn:nameStatus>Official</gn:nameStatus>
      <gn:sourceOfName>Swedish Address Register</gn:sourceOfName>
      <gn:pronunciation>
        <gn:PronunciationOfName/>
      </gn:pronunciation>
      <gn:spelling>
        <gn:SpellingOfName>
          <gn:text>Upplands väsby</gn:text>
          <gn:script>Latn</gn:script>
        </gn:SpellingOfName>
      </gn:spelling>
    </gn:GeographicalName>
```

```

    </ad:postName>
    <ad:postCode>19457</ad:postCode>
  </ad:PostalDescriptor>
</gml:featureMember>

<gml:featureMember>
  <ad:AddressAreaName xmlns:gml="http://www.opengis.net/gml/3.2"
    xmlns:ad="urn:x-inspire:specification:gmlas:Addresses:3.0"
    xmlns:gn="urn:x-inspire:specification:gmlas:GeographicalNames:3.0"
    gml:id="SE.LM.AA.36da5a32-90fc-4c7c-b5c9-728cf9984653">
    <ad:beginLifespanVersion xmlns:xsi="http://www.w3.org/2001/XMLSchema-instance"
      nilReason="UNKNOWN"
      xsi:nil="true"/>
    <ad:status>current</ad:status>
    <ad:validFrom xmlns:xsi="http://www.w3.org/2001/XMLSchema-instance"
      nilReason="UNKNOWN" xsi:nil="true"/>
    <ad:name>
      <gn:GeographicalName>
        <gn:language>SWE</gn:language>
        <gn:nativeness>Endonym</gn:nativeness>
        <gn:nameStatus>Official</gn:nameStatus>
        <gn:sourceOfName>Swedish Address Register</gn:sourceOfName>
        <gn:pronunciation>
          <gn:PronunciationOfName/>
        </gn:pronunciation>
        <gn:spelling>
          <gn:SpellingOfName>
            <gn:text>Odenslunda ö:a</gn:text>
            <gn:script>Latn</gn:script>
          </gn:SpellingOfName>
        </gn:spelling>
      </gn:GeographicalName>
    </ad:name>
  </ad:AddressAreaName>
</gml:featureMember>

<gml:featureMember>
  <ad:ThoroughfareName xmlns:ad="urn:x-inspire:specification:gmlas:Addresses:3.0"
    xmlns:gml="http://www.opengis.net/gml/3.2"
    xmlns:gn="urn:x-inspire:specification:gmlas:GeographicalNames:3.0"
    gml:id="SE.LM.TN.bc387e26-d02c-45e2-8e5a-f8dcefadd6c4">
    <ad:beginLifespanVersion xmlns:xsi="http://www.w3.org/2001/XMLSchema-instance"
      nilReason="UNKNOWN"
      xsi:nil="true"/>
    <ad:status>current</ad:status>
    <ad:validFrom xmlns:xsi="http://www.w3.org/2001/XMLSchema-instance"
      nilReason="UNKNOWN" xsi:nil="true"/>
    <ad:name>
      <gn:GeographicalName>
        <gn:language>SWE</gn:language>
        <gn:nativeness>Endonym</gn:nativeness>
        <gn:nameStatus>Official</gn:nameStatus>
        <gn:sourceOfName>Swedish Address Register</gn:sourceOfName>
        <gn:pronunciation>
          <gn:PronunciationOfName/>
        </gn:pronunciation>
        <gn:spelling>

```

```
<gn:SpellingOfName>
  <gn:text>Storgatan</gn:text>
  <gn:script>Latn</gn:script>
</gn:SpellingOfName>
</gn:spelling>
</gn:GeographicalName>
</ad:name>
</ad:ThoroughfareName>
</gml:featureMember>
.....
```

```
.....  
</gml:FeatureCollection>
```